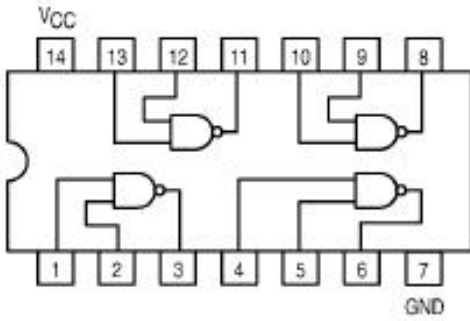
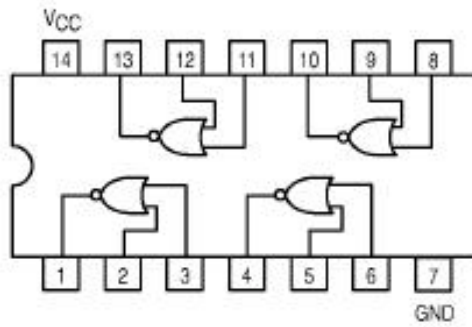


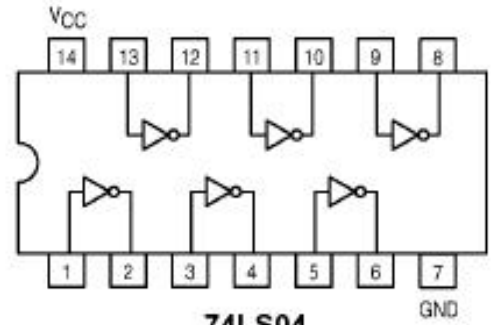
PINOUT DIAGRAMS



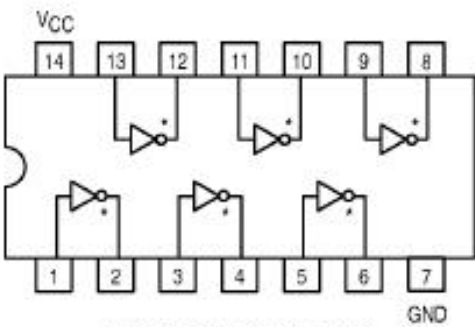
74LS00



74LS02

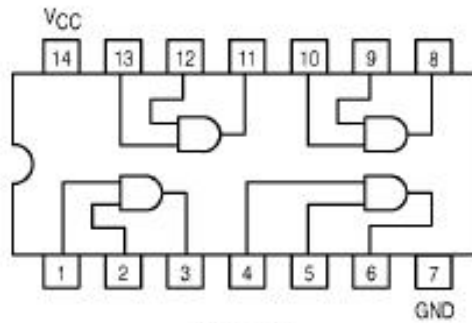


74LS04

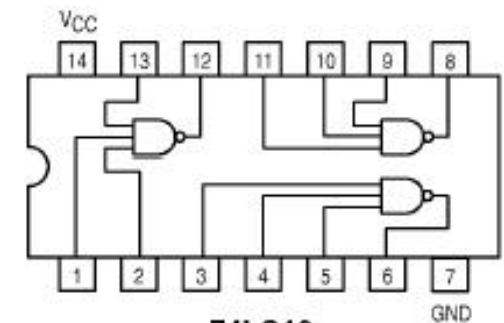


* OPEN COLLECTOR OUTPUTS

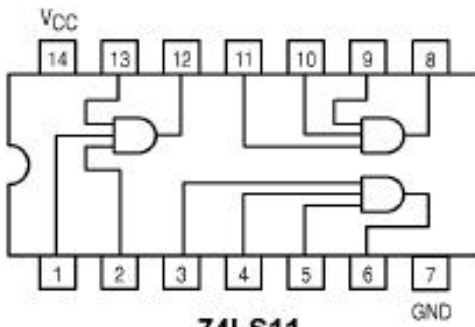
74LS05



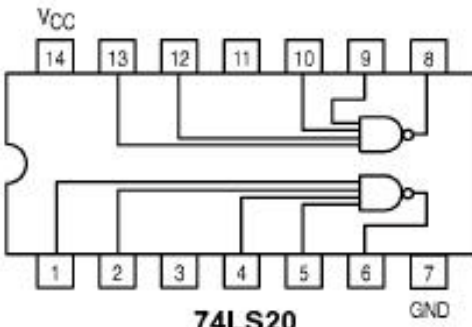
74LS08



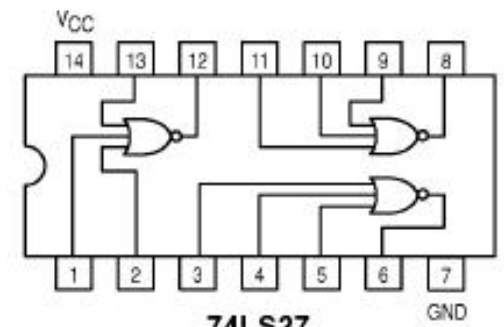
74LS10



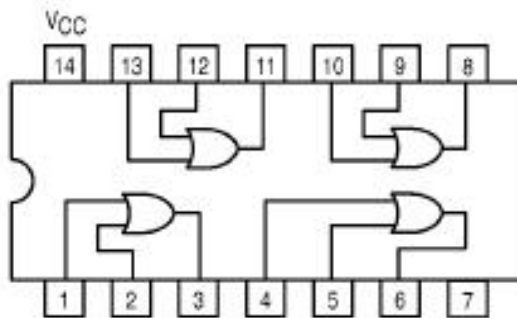
74LS11



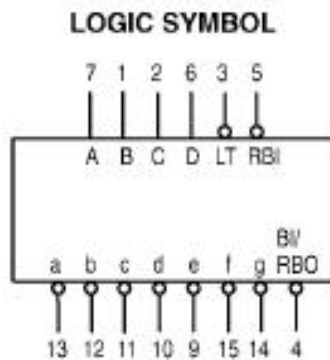
74LS20



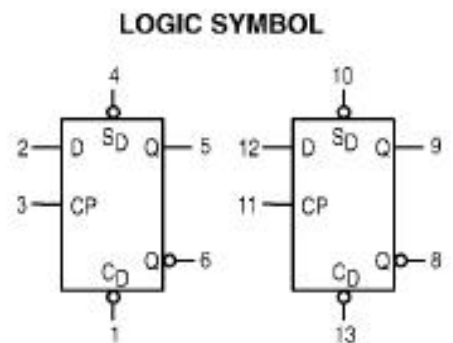
74LS27



74LS32



VCC = PIN 16
GND = PIN 8
74LS47



VCC = PIN 14
GND = PIN 7
74LS74